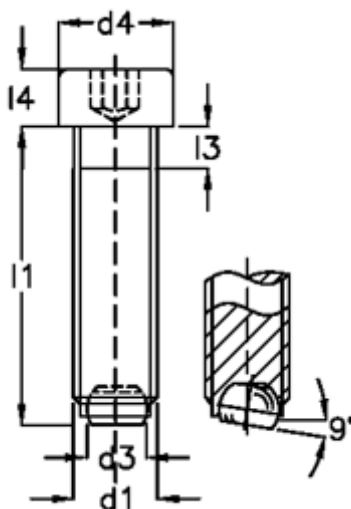


Article number: 2092768411B
Description: E+G Screws with ball
GN 606-M12-50-VN

Measures



| | |
|------------------|--------|
| d1 | = M12 |
| d2 | = 8.0 |
| d3 | = 7.2 |
| d4 | = 18 |
| Internal hexagon | = 10.0 |
| l1 | = 50 |
| l3 | = 5.0 |
| l4 | = 12 |